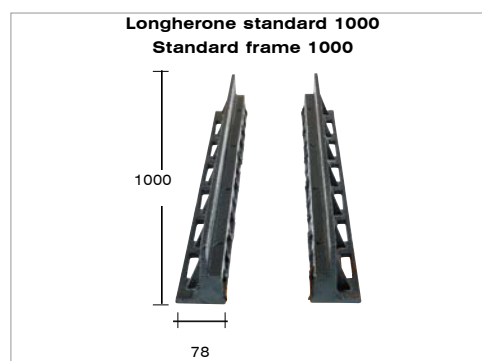




GRIGLIE PER CANALETTE D400

Griglia rettangolare in ghisa sferoidale EN-GJS-500-7 conforme alla norma EN 1563:2018, con resistenza a rottura superiore a 400 KN (40 t) conforme alla classe di carico D400 prevista dalla norma EN 124

Rectangular grating in ductile iron EN-GJS-500-7 conforming to the norm EN 1563:2018, with load bearing capacity over 400 KN (40 tons), conforming to the load class D400 as set out by norm EN 124



Codice Code	Telaio Frame cm	Luce netta Net opening cm	Sup. deflusso Flow surface dm ² /ml	Altezza T Height T mm	Peso griglie Grate Weight kg	Peso telaio Frame Weight kg	Peso Totale Total Weight kg/ml
CHAD20	320X1000	160X1000	13,2	100	11x2	12x2	46
CHAD30	424X1000	260X1000	16,4	100	19x2	12x2	62
CHAD34	464X1000	300X1000	18,4	100	23x2	12x2	70
CHAD40	524X1000	360X1000	21,2	100	27x2	12x2	78
CHAD45	574X1000	410X1000	25,3	100	32x2	12x2	88
CHAD54	664X1000	500X1000	28,5	100	43x2	12x2	110
CHAD64	764X1000	600X1000	32,7	100	51x2	12x2	126
CHAD2475	350X750	200X750	10,3	75	20	7x2	34
CHAD3075	410X750	260X750	12,7	75	25	7x2	39
CHAD34100	450X1000	300X1000	21,4	75	37	8x2	53
CHAD4975	600X750	450X750	20,5	75	48	7x2	62

ACCESSORI/ACCESSORIES

**TESTATA INIZIO-FINE /
INITIAL-CLOSED HEADER** Per tutte le
misure

For all sizes

VITERIA INOX /STAINLESS STEEL SCREWS M12

Per un ml occorrono 2 griglie e 2 longheroni/ To 1 ml takes 2 grates and 2 frame

